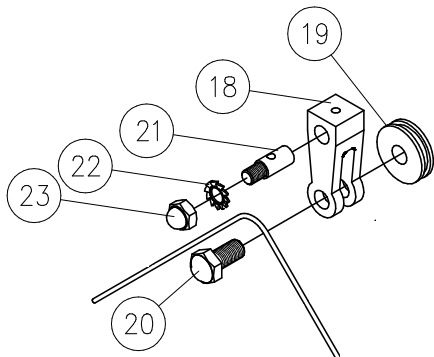


# RenéHERSE

## STRADDLE CABLE YOKE



### **TOOLS REQUIRED:**

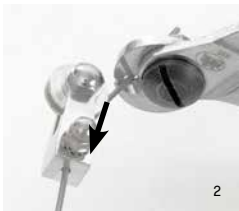
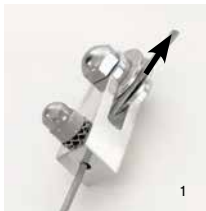
- Box or open-end wrenches: 7 mm, 8 mm
- Cable cutter

## ***BRAKE CABLE INSTALLATION***

1. The straddle cable holder comes pre-assembled to show how it goes together.
2. Remove the roller (8 mm wrench).
3. Slide the brake cable into the yoke.
4. Reinstall the roller; flex the brake cable so it clears the roller (Fig. 1).
5. Install the straddle cable on the brake and set the straddle cable hanger to the desired height.
6. Unhook the straddle cable again.
7. Shorten the brake cable; see next page.
8. Tighten the brake cable nut (7 mm wrench).

**Warning!** The brake cable **must protrude** slightly from the hole on the inside of the straddle cable yoke (see Fig. 3). Otherwise, it may not clamp properly, and could come loose when braking hard! Injury risk!

## HOW TO SHORTEN THE BRAKE CABLE:



1. Push the cable beyond the desired height.
2. Cut off the excess cable. Pull the cable back into the yoke to the desired height.
3. The cable must protrude inside the yoke.

## ***LOCKING THE ROLLER:***

You have a choice of two settings, depending on the yoke's orientation:

- **Roller rotates (default):** Threads in the lower yoke hole face the screw head. You don't need to center the straddle cable; it will center automatically when the brake is applied.
- **Roller locked:** Threads in the lower yoke hole opposite the screw head. This allows you to set the straddle cable slightly off-center, if one brake pad tends to rub on the rim due to unequal spring tension.

## ***IMPORTANT SAFETY CHECK!***

Perform this important safety check before every ride:

- **Pull hard on both brake levers** to make sure your brakes work properly. It is easy to forget to hook up the straddle cable after removing a wheel.